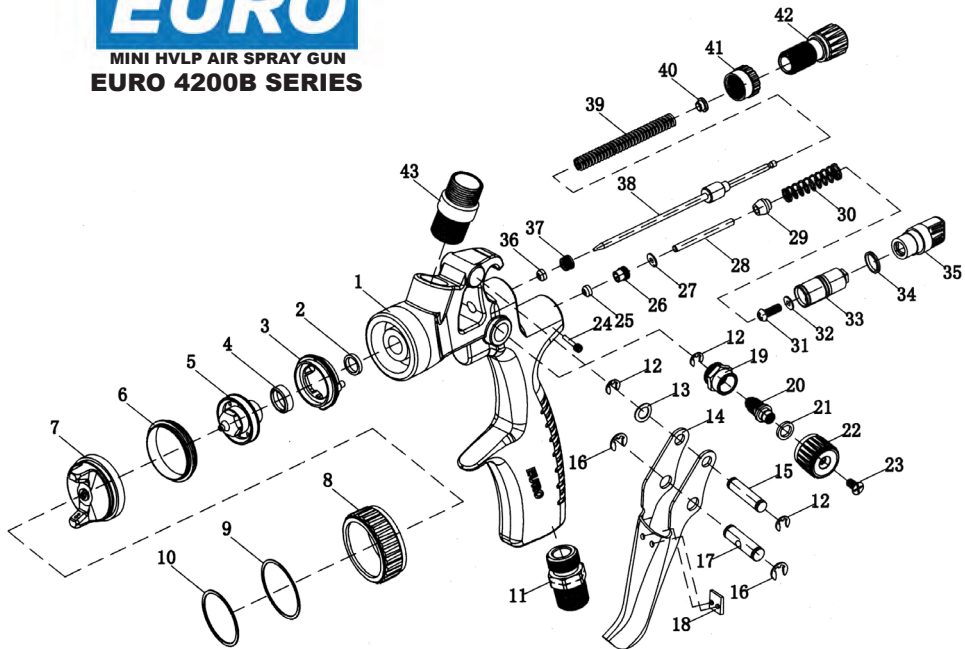


# EURO

MINI HVLP AIR SPRAY GUN  
EURO 4200B SERIES



## BREAKDOWN

No.	Description	No.	Description
1	Gun body	25	Air valve seat
2	Nozzle gasket	26	Sealing screw
3	Air separation ring	27	Air valve washer
4	Airflow seal washer	28	Valve rod
5	Nozzle	29	Valve seat
6	Locking ring gasket	30	Valve spring
7	Air cap	31	pan head screws
8	Locking ring	32	pan head screws washer
9	Washer for air cap	33	Air adjust adapter
10	Retainer	34	Gland seal
11	G1/4 (A) joint	35	Air adjust knob
12	Retainer 3	36	Needle packing gasket
13	Washer	37	Needle packing screw
14	Trigger	38	Needle
15	Trigger pin	39	Needle adjust spring
16	Retainer 4	40	Needle adjust adapter
17	Hinge pin	41	Needle adjust Nut
18	Gasket	42	Needle adjust knob
19	Spray pattern adjust adapter	43	Cup connector
20	Spray pattern adjust lever		
21	Washer		
22	Spray pattern adjust knob		
23	Cross head screw		
24	Fixed screw		